

FLEXALIGHTING

JOS PR10

Semi-recessed pendants

design Roberto Mantovani



A semi-recessed suspended projector for ceiling installation, characterised by a minimal design and high optical performance. It lends itself to applications ranging from accent lighting to general illumination.

Proiettore sospeso per installazione a semi incasso connotato da un design minimale ed elevate prestazioni ottiche. Si presta ad applicazioni che vanno dalla luce d'accento all'illuminazione generale.

Projecteur pour installation semi-encastrée, caractérisé par un design minimaliste et de hautes performances optiques. Il est indiqué pour les applications allant de l'éclairage d'accentuation à l'éclairage général.



IP20 made in Italy

Abgehängter Projektor für die Halbeinbau-Installation mit minimalistischem Design und hoher optischer Leistung. Eignet sie sich für Anwendungen von der Akzentbeleuchtung bis zur Allgemeinbeleuchtung.

Proyector colgante para instalación semi empotrable caracterizado por un diseño minimalista y un alto rendimiento óptico. Se presta a aplicaciones que van desde la iluminación de acento hasta la iluminación general.

Supply current
500mA (V_i 18V)

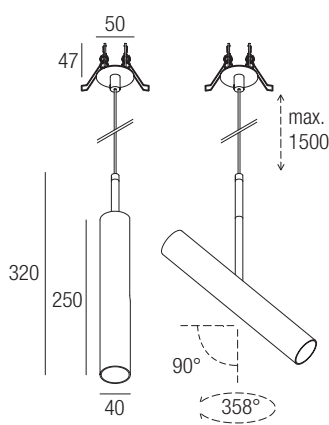
Power
10W

Series wiring

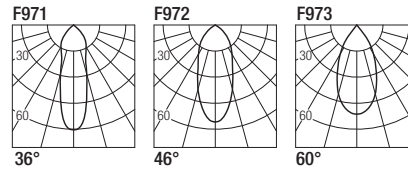
CRI
85-93

2-Step MacAdam

Dimensions



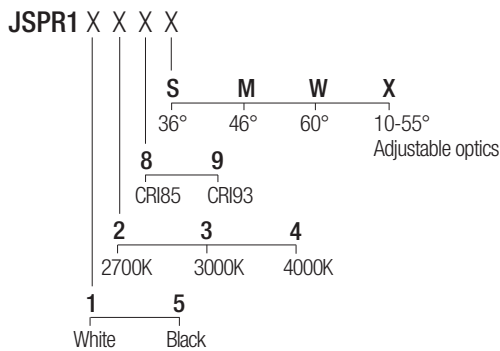
Photometric diagrams



CCT/CRI/Flux

CCT	CRI85	CRI93
2700K	890lm	840lm
3000K	1000lm	930lm
4000K	1040lm	960lm

Code construction



Note: cable cut to measure on request

Accessories

LJ01 White
LJ01B Black
Low luminance louver



SJ01 White
SJ01B Black
Milky screen



Note: The filter and the screen are not available in adjustable optics version 10-55°

Drivers

